

Classic nozzles

GIRANDOLA



- Made of stainless steel and brass
- Rotating crystalline water jet
- Independent from the water level

The Girandola is a fountain nozzle made of stainless steel and brass, independent from the water level. The effect is a single rotating crystalline jet.

TIPS FOR USE AND APPLICATIONS

The Girandola enhances the water scenery with dynamism, simply by taking advantage of water thrust.

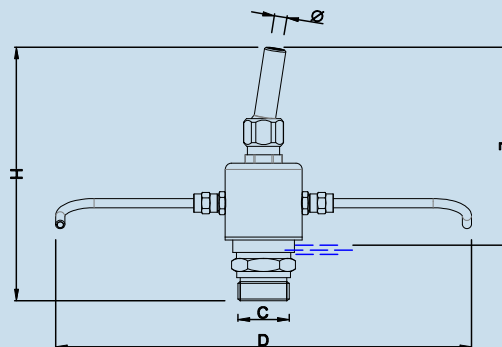
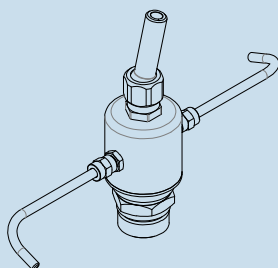
The variable tilting of the jet allows to cover a more or less wide area.

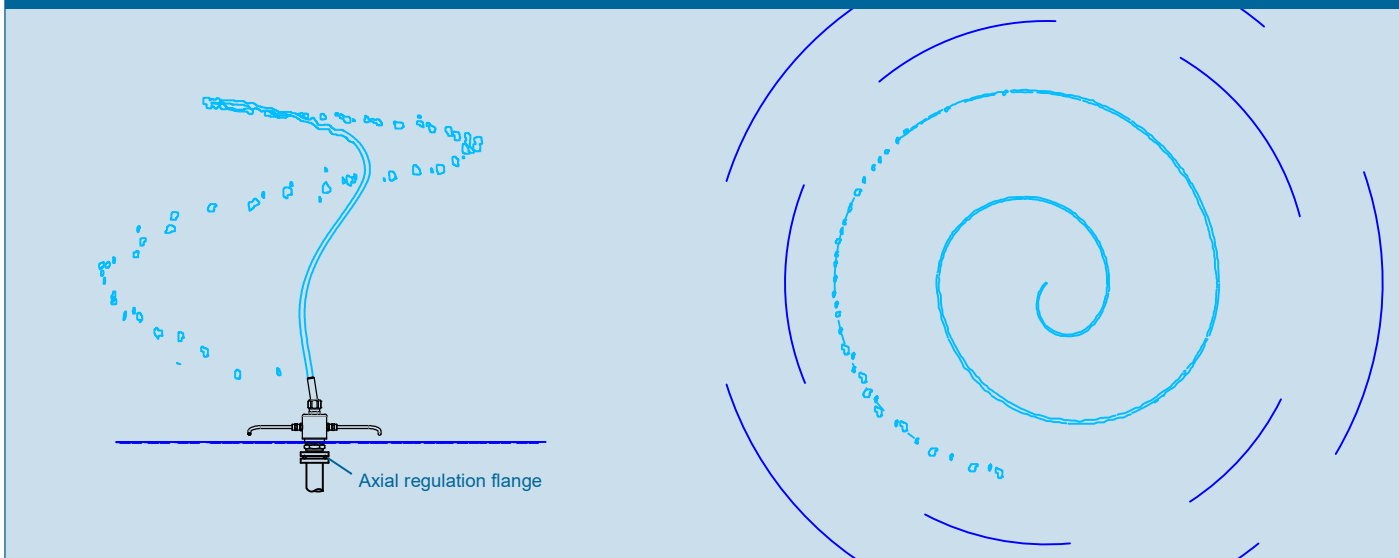
To be preferably mounted in group compositions, this nozzle makes the fountain dynamic in a very simple way.

We suggest the use of the axial regulation flange.

Underwater lighting: to enhance the water effect with monochrome or RGBW lighting features we recommend the use of the Mizar underwater LED fountain lights, professional products specific for fountain illumination, of refined design, cutting-edge technology and amazing lighting outcomes.

DIMENSIONS



APPLICATION


GIRANDOLA	
CODE	GI100
H	165 mm
D	271 mm
L	150 mm
Ø	10 mm
C	1" M
MAXIMUM HEIGHT*	4 m
MATERIAL	Stainless steel / Brass
WEIGHT	210 g

*maximum recommended height of the water jet.

WATER JET HEIGHT [m]	GI100	
	FLOW RATE [l/min]	HEAD [mWC]
1.50	35.80	2.35
2.00	77.50	3.14
2.50	47.00	4.00
3.00	52.50	4.80
4.00	66.00	7.00

ACCESSORIES	CODE
1" AXIAL REGULATION FLANGE	FL100