

Needle Valve

This device is an adjustable restriction. When installed in various control loops it is used for controlling opening or closing speed.

Needle valve types:

5° - for up to 4" (100 mm) valves

15° - for 6" (150 mm) and larger valves

Technical Data

Pressure rating: 40 bar (600 psi)

Standard materials:

Body: Brass

Needle: Stainless steel 303

Needle seat: Stainless steel 303

Seals: NBR

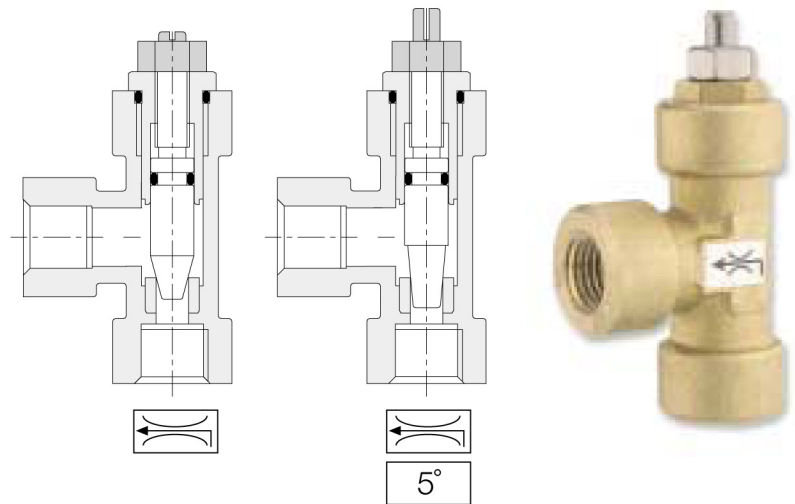
Optional materials:

Metal parts: Stainless steel 316

Seals: FPM

Ports: 1/4" NPT

Maximum temperature: 80°C (180°F)



Needle & Check Valve

This device is a 1-way adjustable restriction. Flow in the direction of the needle is restricted while flow in the opposite direction is unobstructed. When installed in various control loops it is used for controlling opening or closing speed. Installed together with a standard needle valve, it enables controlling opening and closing speeds in the same control loop.

Technical Data

Pressure rating: 40 bar (600 psi)

Flow factor: Kv 0.85 (Cv 1.0)

(in unrestricted flow direction)

Standard materials:

Body: Brass

Needle: Stainless steel 303

Needle seat: Stainless steel 303

Spring: Stainless steel 302

Seal disc: Stainless steel 304

Seals: NBR

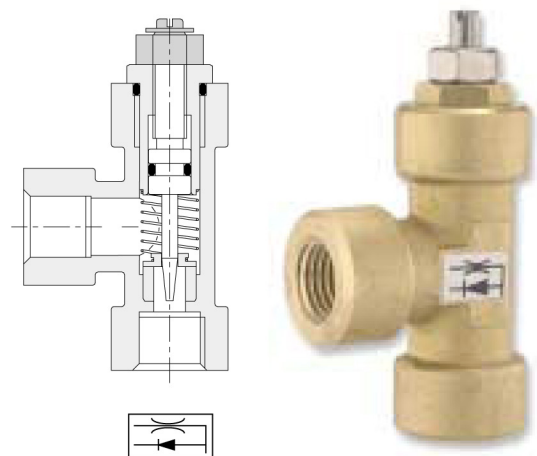
Optional materials:

Metal parts: Stainless steel 316

Seals: FPM

Ports: 1/4" NPT

Maximum temperature: 80°C (180°F)





Trädgårdsteknik AB
Helsingborgsvägen 578
262 96 ÄNGELHOLM
Telefon: 0431-222 90
Telefax: 0431-222 70
info@tradgardsteknik.se
www.tradgardsteknik.se
